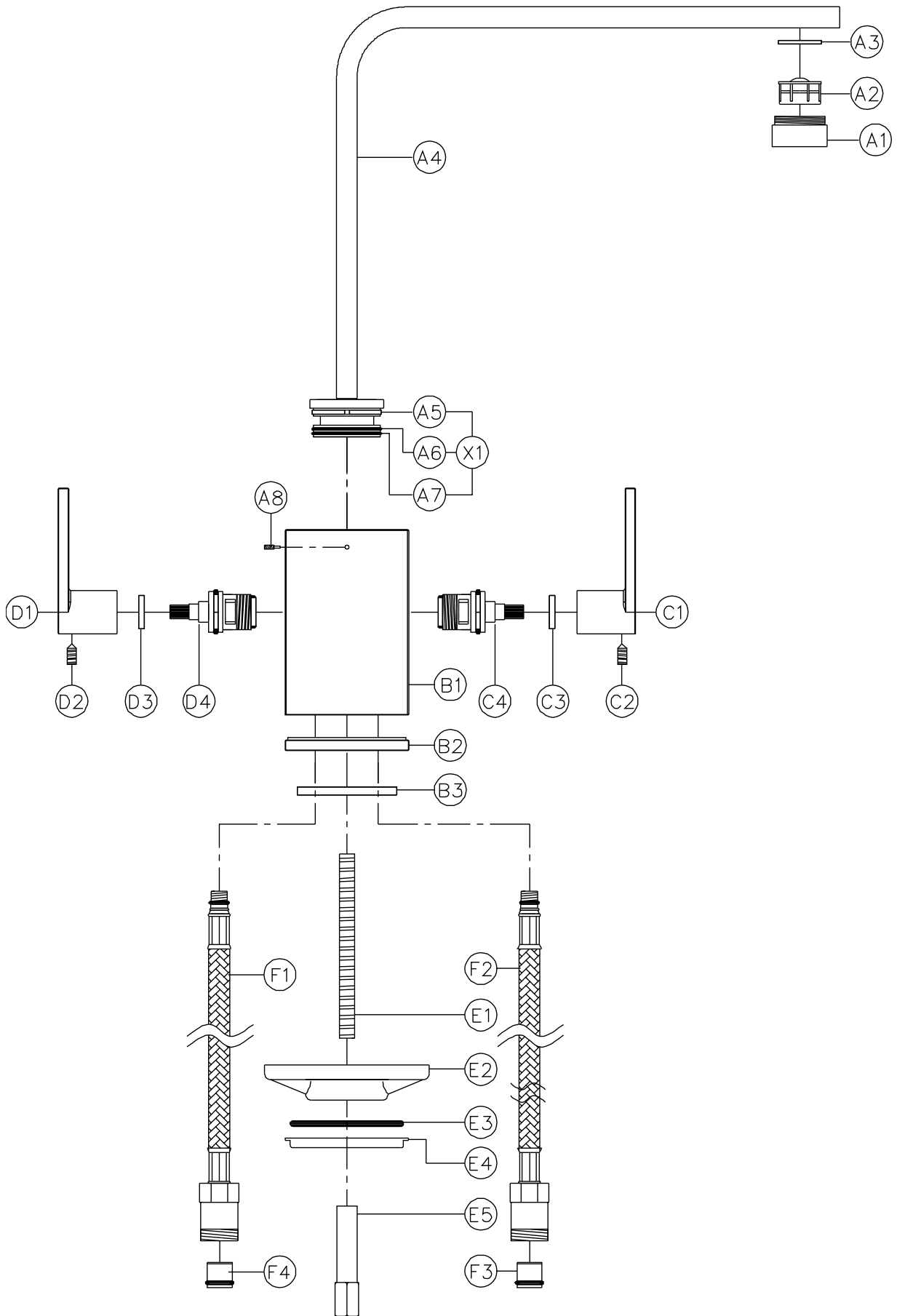


# TQC1 – Quadrant Contemporary



**General Advice:**

- These instructions are intended as a guide only, if you are in any doubt you should seek the advice of a qualified professional.
- Take care not to mark finished parts with screwdrivers or other tools.
- Use a pair of rubber gloves to get a better grip on decorative hand tight parts.
- Ensure all parts are reassembled tightly.
- After maintenance test that all assemblies are water tight and function correctly.
- Always isolate the hot and cold water supplies before starting any maintenance, once isolated you should drain any residual water from your system.

**To replace the valve:**

1. Using a 2mm A/F allen key loosen the grub screw (D2) at the rear of the handle (D1).
2. Pull the handle (D1) and spacer (D3) horizontally away from the body of the tap (B1)
3. Using a spanner unscrew the valve (D4) and remove it from the body (B1)
4. Clean the internal chamber of the tap (B1) before inserting the new valve.
5. Screw the new valve tightly into tap body with a spanner.
6. Push the handle (D1) onto the valve stem and tighten the grub screw (D2).

**To replace the spout o-rings:**

1. Loosen grub screw (A8) on the rear of body (B1) using a 2.5mm A/F allen key.
2. Pull the spout (A4) vertically away from the body (B1).
3. Remove the old o-rings (A6 & A7) using a small screwdriver or similar.
4. If worn, remove the white PTFE spacer (A5).
5. Ensure the inside of the body (B1) and the spout base is clean of dirt and grit with a soft wet cloth.
6. If required locate the new white PTFE spacer (A5) on to the spout base.
7. Carefully locate the new O-rings (A6 & A7) onto the spout base.
8. Grease the O-rings (A6 & A7) thoroughly with silicone or alternative similar grease.
9. Reassemble the tap in the reverse order.